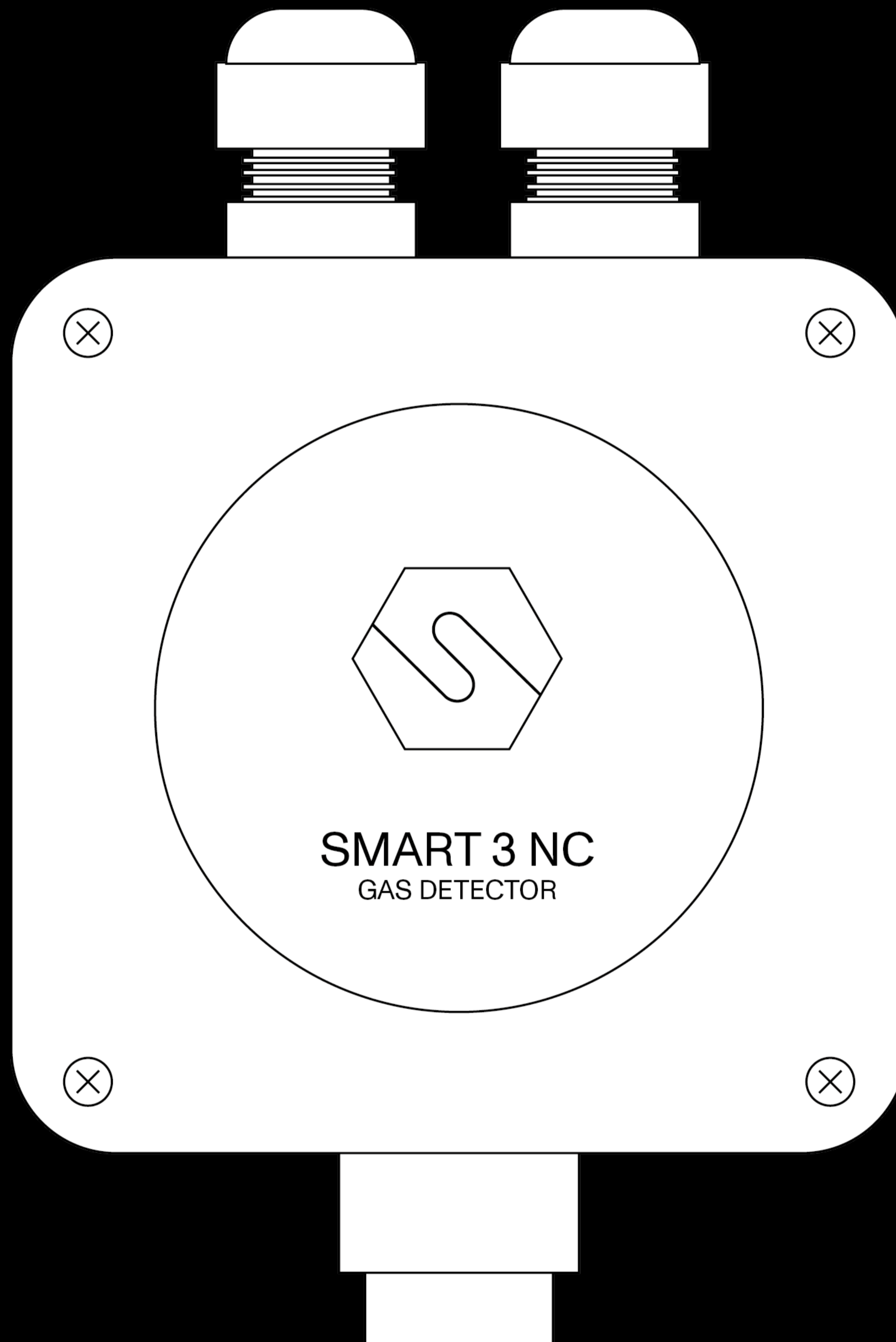


SMART 3 NC

With electrochemical cell



Datasheet





SMART3 NC gas detector is designed to be installed in non-classified area and car parks. The sensing element is placed in an aluminum enclosure. The electrochemical cells employed for the detection of toxic gases allow the measurement of toxic compounds at very small contents. The gas detector has a 12-24 Vdc power supply and a standard 4-20 mA 3-wires output. Optionally, the SMART3 NC can be equipped with serial RS485 communication and a 1 or 3 relays board. The plastic enclosure has dimensions 106 x 160 x 54 mm, on the upper side there're two M20 cable glands.

Sensor

| | |
|---------------------------|--|
| Application | Car parks, laboratories and non-classified areas |
| Sensing element | Electrochemical cell |
| Predicted sensor lifetime | 2 / 3 years |
| Gas detected | CO [0-300 ppm], NO ₂ [0-20 ppm], HCl [0-50ppm]; Cl [0-20ppm], SO ₂ [0-20 ppm] |

Electrical data

| | |
|--|---|
| Power supply | 12-24 Vdc |
| Output | Analogue 4-20 mA output; 1 or 3 relay board (optional); serial RS485 output (optional) |
| Absorption | 23 mA |
| Relays contact ratings (on the optional board) | 1.0 A at 30 Vdc |
| Optical indications | - |
| Acoustic indications | - |

Environmental conditions

| | |
|-----------------------|--------------------------|
| Storage temperature | 0 / +20°C up to 6 months |
| Operating temperature | -20 / +55°C |
| Operating humidity | 15 / 90% RH |

Compliance

| | |
|-----|--|
| EMC | EN 61000-6-3:2007 + A1:2011; EN 50270:2015 |
|-----|--|



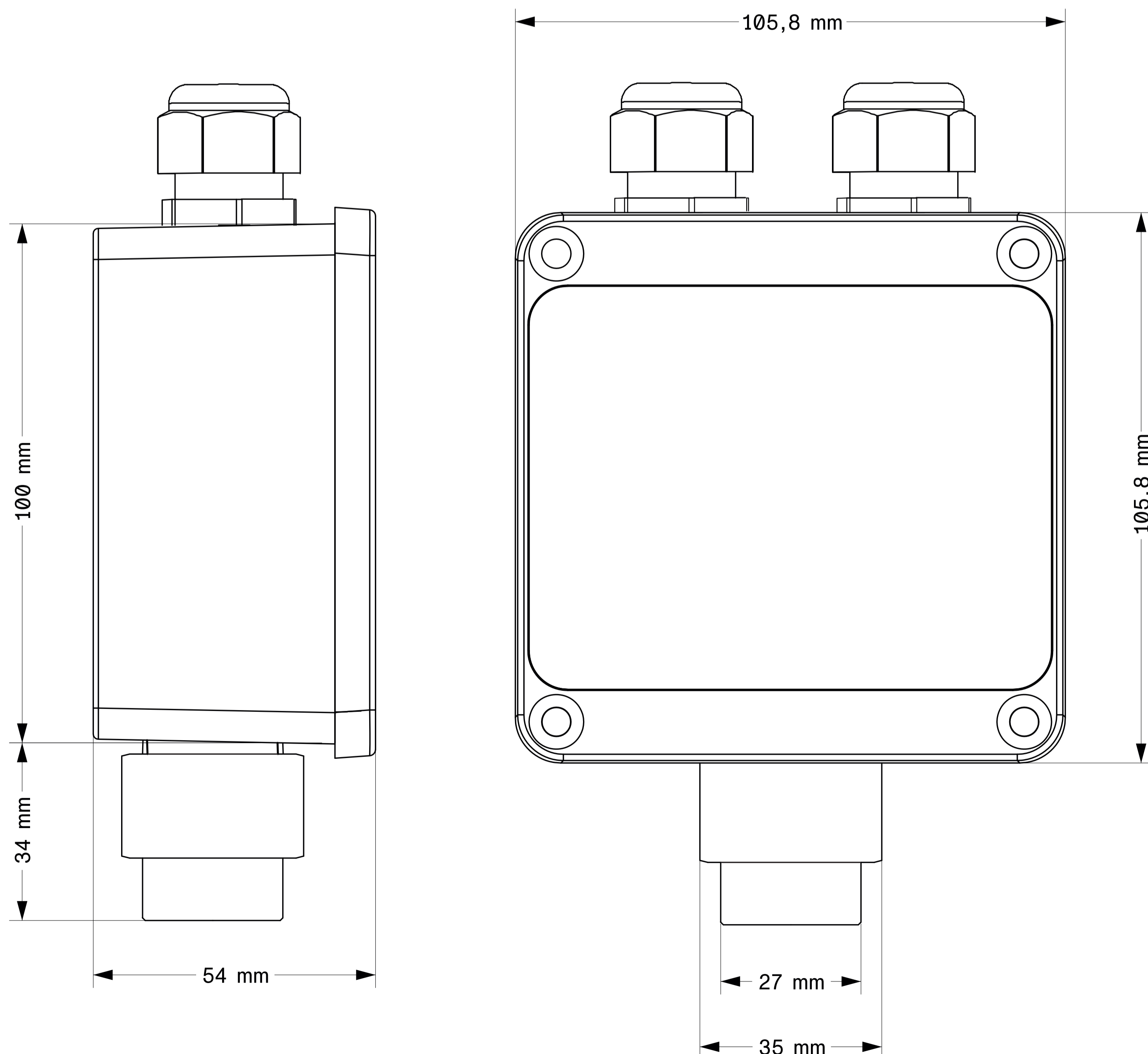
External case

| | |
|---------------|---|
| Material | Enclosure: Polycarbonate Sensor head: Aluminum |
| Dimensions | Box: 100 x 100 x 52 mm Cover: 105.8 x 105.8 x 7.8 mm |
| Weight | 250 g |
| Cable entries | 2 x M20 cable glands |
| IP grade | IP55 |

Product codes

| | |
|----------|---------------------------------------|
| S1450CO | CO gas detector 0-300 ppm |
| S1451ND | NO ₂ gas detector 0-20 ppm |
| S1423HCL | HCL gas detector 0-50 ppm |
| S1142CL | Cl gas detector 0-20 ppm |
| S1138SD | SO ₂ gas detector 0-20 ppm |

Mechanical drawings



Contatti/Contacts

Viale della Repubblica, 48
20007 Cornaredo (MI) – ITALY

+39 0293548155
sales@sensitron.it
sensitron.it

Sensitron S.r.l.

